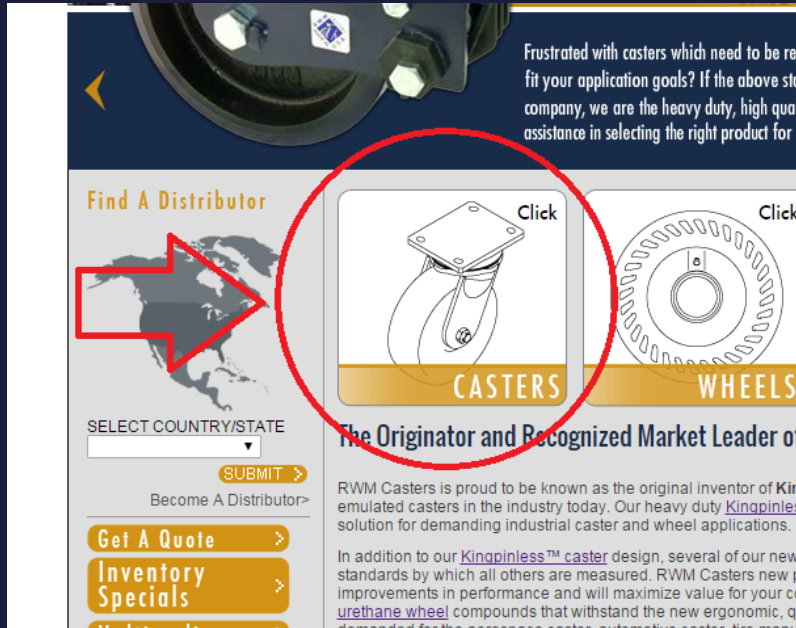


— CAD Download Instructions —

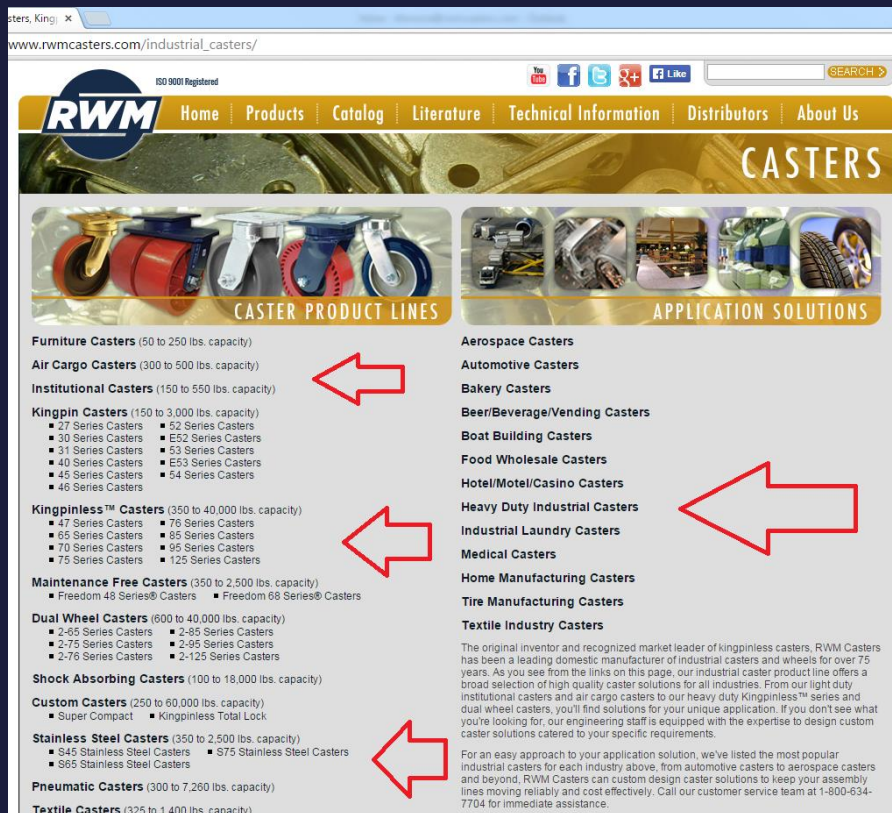
- Search www.rwmcasters.com on your search engine and click on the result.
- On the **Homepage** of the website click on the **Casters Icon Button**.

1.



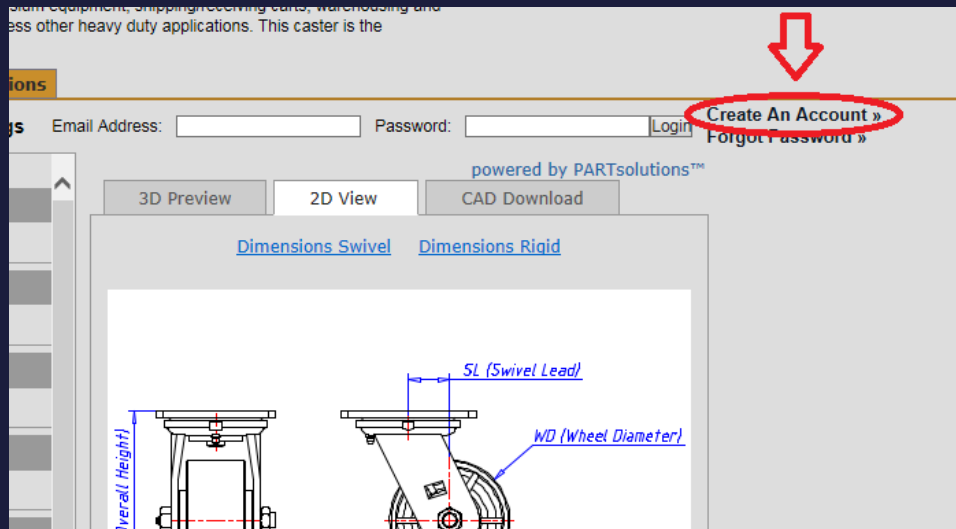
- Select the desired **Caster Series** or **Application Solutions**.

2.



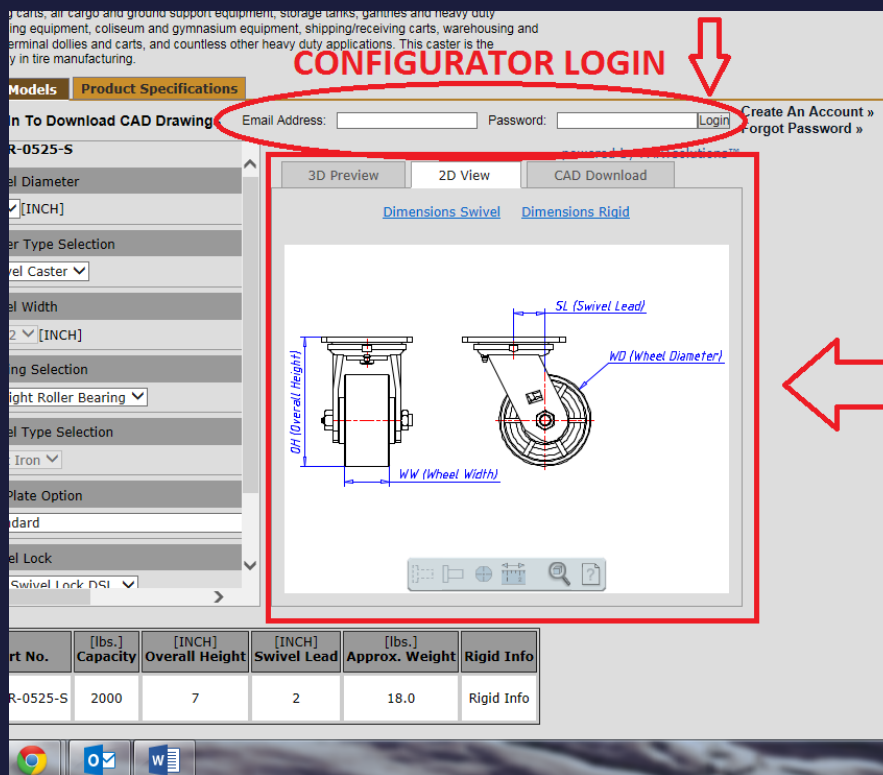
- After choosing a Series, you must create a **Free Account** before you will be able to view our 3D & 2D CAD designs. This is located at the bottom of the page.

3.



- Once you have created a profile, return to the bottom of the page and **Login to the configurator**.
- You will see the **CAD Preview Box**

4.



- Select **Product Specifications** for the caster, located to the left of the **CAD Preview Box**

5.

mainstay in tire manufacturing.

CAD Models
Product Specifications

76-CIR-0525-S

Wheel Diameter
5 [INCH]

Caster Type Selection
Swivel Caster

Wheel Width
2 1/2 [INCH]

Bearing Selection
Straight Roller Bearing

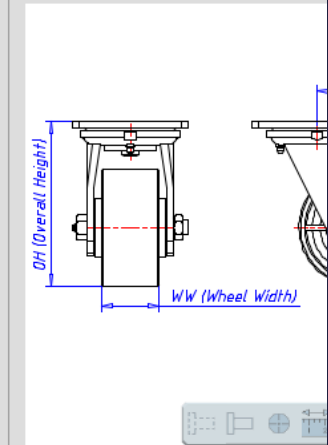
Wheel Type Selection
Cast Iron

Top Plate Option
Standard

Swivel Lock
w/o Swivel Lock DSL

3D Preview
2D View

[Dimensions Swivel](#)



Part No.	[lbs.] Capacity	[INCH] Overall Height	[INCH] Swivel Lead	[lbs.] Approx. Weight	Rigid In
76-CIR-0525-S	2000	7	2	18.0	Rigid Inf

- A **Part Number** and **Caster Capabilities** will be displayed below the **CAD Model Box**

6.

height terminal some one cast, and some other heavy duty applications. This caster is the mainstay in tire manufacturing.

CAD Models
Product Specifications

76-CIR-0525-S

Wheel Diameter
5 [INCH]

Caster Type Selection
Swivel Caster

Wheel Width
2 1/2 [INCH]

Bearing Selection
Straight Roller Bearing

Wheel Type Selection
Cast Iron

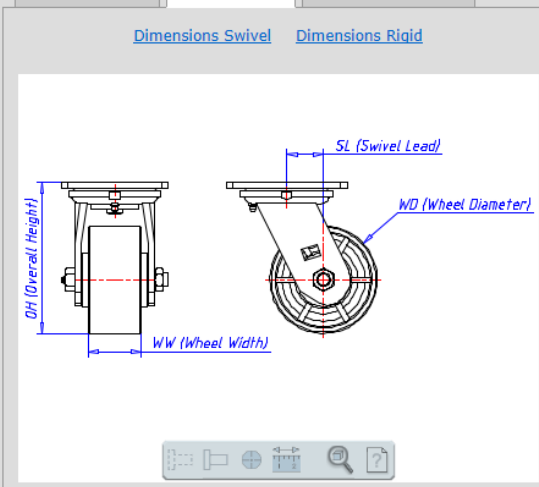
Top Plate Option
Standard

Swivel Lock
w/o Swivel Lock DSL

3D Preview
2D View
CAD Download

powered by PARTSolutions™

[Dimensions Swivel](#) [Dimensions Rigid](#)



Part No.	[lbs.] Capacity	[INCH] Overall Height	[INCH] Swivel Lead	[lbs.] Approx. Weight	Rigid Info
76-CIR-0525-S	2000	7	2	18.0	Rigid Info

- After selecting the desired specifications, select the **3D Tab** and click **Generate Preview**

7.

mainstay in tire manufacturing.

CAD Models | **Product Specifications**
powered by PARTsolutions™

76-CIR-0525-S
3D Preview | 2D View | CAD Download

Wheel Diameter
5 [INCH]

Caster Type Selection
Swivel Caster

Wheel Width
2 1/2 [INCH]

Bearing Selection
Straight Roller Bearing

Wheel Type Selection
Cast Iron

Top Plate Option
Standard

Swivel Lock
w/o Swivel Lock PSI

Generate Preview

Part No.	[lbs.] Capacity	[INCH] Overall Height	[INCH] Swivel Lead	[lbs.] Approx. Weight	Rigid Info
76-CIR-0525-S	2000	7	2	18.0	Rigid Info

- A CAD Image will appear which may be maneuvered in any direction to view. If one, or more, of the specifications do not appear correct, they may easily be changed in the drop down options to the **left** and the newly selected specification(s) will be changed after clicking **Generate Preview** again (**Repeat Pictures 5 & 7**).

8.

height terminal domes and cans, and countless other heavy duty applications. This caster is the mainstay in tire manufacturing.

CAD Models | **Product Specifications**
powered by PARTsolutions™

76-CIR-0525-S
3D Preview | 2D View | CAD Download

Wheel Diameter
5 [INCH]

Caster Type Selection
Swivel Caster

Wheel Width
2 1/2 [INCH]

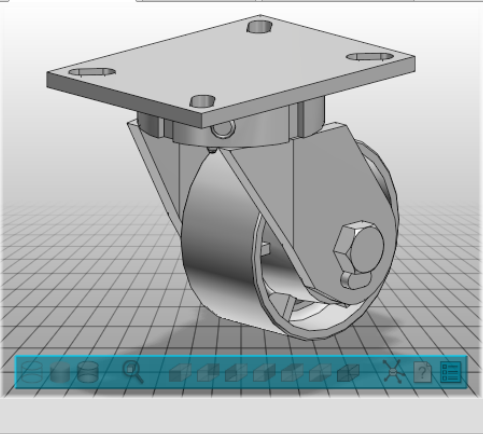
Bearing Selection
Straight Roller Bearing

Wheel Type Selection
Cast Iron

Top Plate Option
Standard

Swivel Lock
w/o Swivel Lock PSI

←



Part No.	[lbs.] Capacity	[INCH] Overall Height	[INCH] Swivel Lead	[lbs.] Approx. Weight	Rigid Info
76-CIR-0525-S	2000	7	2	18.0	Rigid Info

- Once you are satisfied with the appropriate product and specifications thereon, you may select the **CAD Download Tab**.

9.

The screenshot shows the 'CAD Models' interface for product 76-CIR-0525-S. The left sidebar contains various specification dropdowns: Wheel Diameter (5 [INCH]), Caster Type Selection (Swivel Caster), Wheel Width (2 1/2 [INCH]), Bearing Selection (Straight Roller Bearing), Wheel Type Selection (Cast Iron), Top Plate Option (Standard), and Swivel Lock (w/o Swivel Lock DS1). The main area features a 3D preview of a swivel caster wheel. At the top right of the main area, there are tabs for '3D Preview', '2D View', and 'CAD Download'. The 'CAD Download' tab is highlighted with a red circle, and a red arrow points to it from the right. Below the 3D preview is a toolbar with various icons. At the bottom, there is a table with the following data:

Part No.	[lbs.] Capacity	[INCH] Overall Height	[INCH] Swivel Lead	[lbs.] Approx. Weight	Rigid Info
76-CIR-0525-S	2000	7	2	18.0	Rigid Info

- Use the **Drop Down Box**, within the CAD Preview box, to select the desired **CAD System**

10.

The screenshot shows the same 'CAD Models' interface as above, but with the 'CAD Download' tab selected. A dropdown menu is open, showing 'AutoCAD' as the selected option, which is circled in red. A red arrow points upwards to the dropdown menu. The 'Generate CAD' button is visible to the right of the dropdown. The table at the bottom remains the same as in the previous screenshot.

Part No.	[lbs.] Capacity	[INCH] Overall Height	[INCH] Swivel Lead	[lbs.] Approx. Weight	Rigid Info
76-CIR-0525-S	2000	7	2	18.0	Rigid Info

- Once you have chosen the desired **CAD System**, select the **Generate CAD** box located directly to the **right** of the drop down box.

11.

Part No.	[lbs.] Capacity	[INCH] Overall Height	[INCH] Swivel Lead	[lbs.] Approx. Weight	Rigid Info
76-CIR-0525-S	2000	7	2	18.0	Rigid Info

- A **Zip File** of the created product will appear in the box. It may be **Downloaded** to any file on your **personal Desktop** where you may access it at any time.